

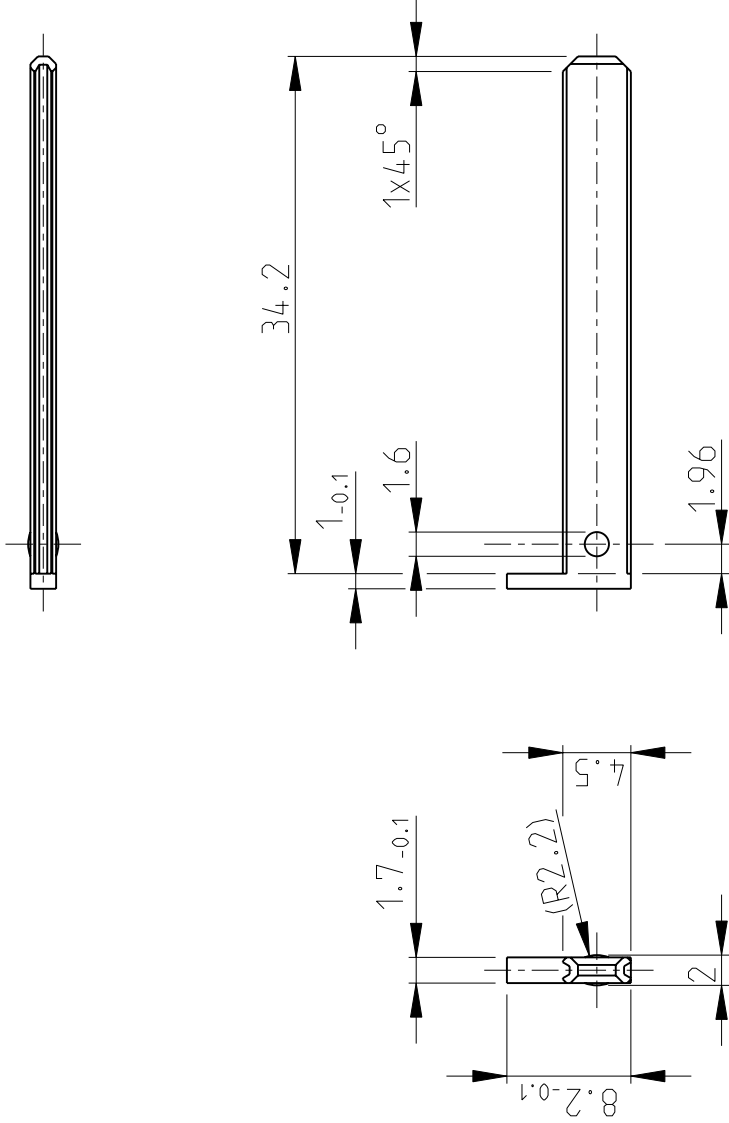
THIS DRAWING IS A CONTROLLED DOCUMENT FOR TYCO ELECTRONICS CORPORATION  
 AND THE CONTROLLING ENGINEERING ORGANIZATION  
 IT IS SUBJECT TO CHANGE AND SHOULD BE CONTACTED FOR THE LATEST REVISION.

|     |      |           |                                |            |
|-----|------|-----------|--------------------------------|------------|
| LOC | DIST | REVISIONS |                                |            |
| A1  | -    | P         | DESCRIPTION                    | DATE       |
|     |      | C         | PN 926936-2 hinzu              | 18MAY1982  |
|     |      | D         | Benennung Korrektur            | 12FEB1985  |
|     |      | D2        | NEW DRAWING CREATED            | 10SEP2007  |
|     |      | D3        | DASH NUMBER IN TABLE CORRECTED | 16JAN2008  |
|     |      |           |                                | Haas Stre. |
|     |      |           |                                | Haas Stre. |

2007

RELEASED FOR PUBLICATION

THIS DRAWING IS UNPUBLISHED.  
 © COPYRIGHT 2007 BY TYCO ELECTRONICS CORPORATION. ALL RIGHTS RESERVED.



|                 |             |                 |              |
|-----------------|-------------|-----------------|--------------|
| 926635-2        | D           |                 | RED          |
| 926635-1        | D           |                 | BLACK        |
| <b>PART NO.</b> | <b>REV.</b> | <b>MATERIAL</b> | <b>COLOR</b> |

|  |   |                  |  |                  |             |        |   |
|--|---|------------------|--|------------------|-------------|--------|---|
| DIMENSIONS:                            |   | DWN              | 10SEP2007                              | MATERIAL         | PA 6.6 13GV | FINISH | - |
| mm                                     |   | CHK              | 11SEP2007                              | Tyco Electronics |             |        |   |
| TOLERANCES UNLESS OTHERWISE SPECIFIED: |   | APVD             | Tyco Electronics AMP GmbH              |                  |             |        |   |
| 0 PLC                                  | ± | PRODUCT SPEC     | 64625 Bensheim (Germany)               |                  |             |        |   |
| 1 PLC                                  | ± | APPLICATION SPEC | NAME                                   |                  |             |        |   |
| 2 PLC                                  | ± | WEIGHT           | LOCKING SLIDE                          |                  |             |        |   |
| 3 PLC                                  | ± | CUSTOMER DRAWING | Kontaktsicherung fuer MODU IV Gehaeuse |                  |             |        |   |
| 4 PLC                                  | ± | SCALE            | RESTRICTED TO                          |                  |             |        |   |
| ANGLES                                 | ± | SIZE             | A4 00779                               |                  |             |        |   |
|  |   | CAGE CODE        | DRAWING NO                             |                  |             |        |   |
|  |   | SCALE            | 2:1                                    |                  |             |        |   |
|  |   | SHEET            | 1                                      |                  |             |        |   |
|  |   | OF               | 1                                      |                  |             |        |   |
|  |   | REV              | D3                                     |                  |             |        |   |